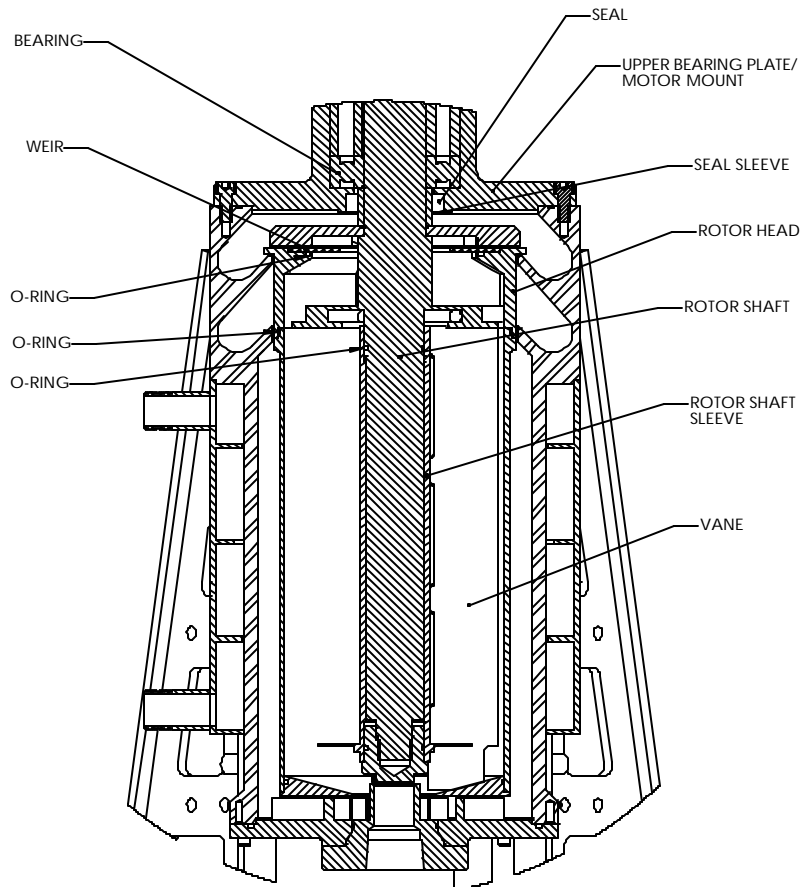
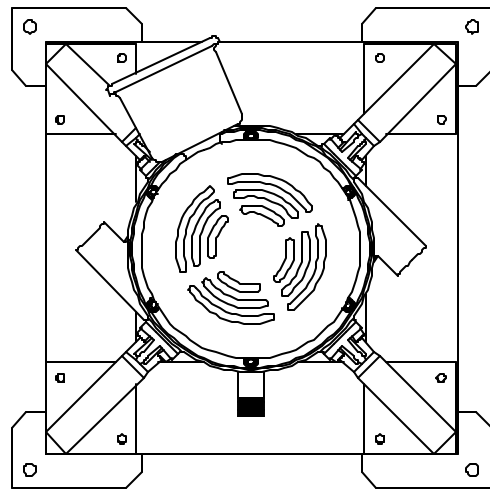
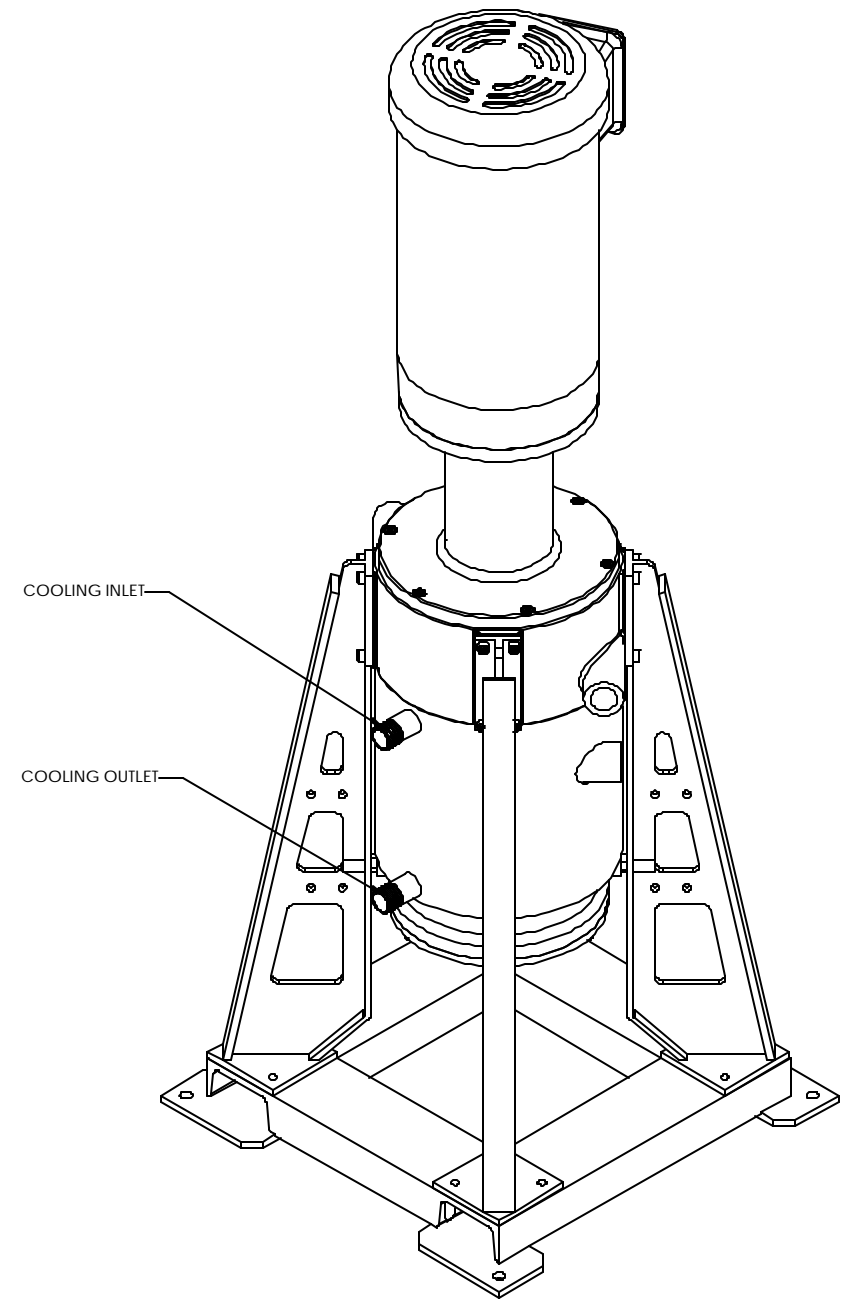


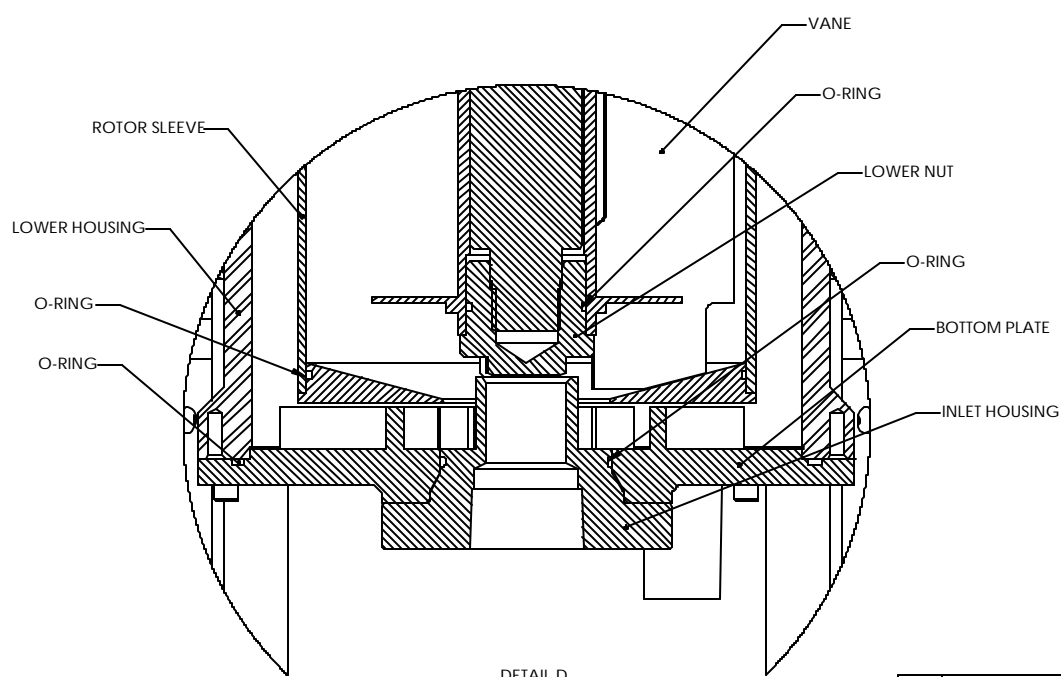
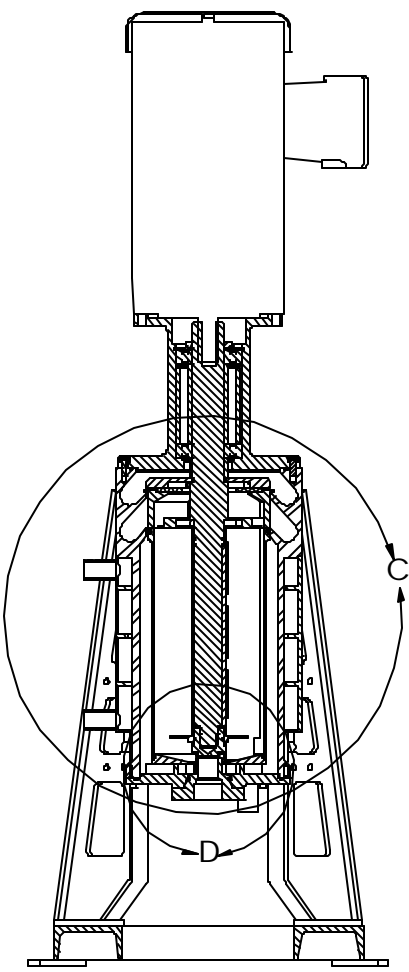
REVISIONS				
REV	ZONE	DESCRIPTION	DATE	APPROVED



DETAIL C
SCALE 1 : 2



SHOWN WITH OPTIONAL COOLING JACKET



DETAIL D
SCALE 1 : 1

UNLESS OTHERWISE SPECIFIED DIMENSION ARE IN INCHES		CONTRACT NO.		PARTS LIST	
TOLERANCES		DRAWN		DATE	
DECIMALS .XX	+0.03	J. KLIPP	27 JUN 03		 CARSON CITY, NV 89706 CENTRIFUGAL SEPARATOR LAYOUT V-05 HANGING SIZE DRAWING NO. REVISION D V-05 HANGING LAYOUT
XXX	±0.10	DESIGN			
BROKEN EDGES .010 MAX FILLET R.015 MAX		QUALITY			
125 ✓ MACHINE SURFACES INTERPRET PER ANSI Y14.5M (1982) DO NOT SCALE DRAWING		MANUFACTURING			
QTY	NEXT ASSEMBLY	MATERIAL	CHECKED BY	SCALE 1:3	RELEASE DATE SHEET 1 OF 1
		MATL			