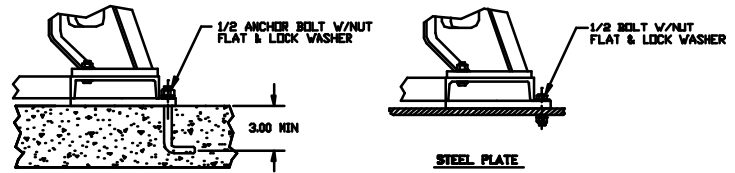
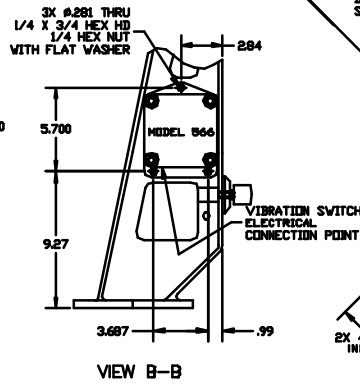
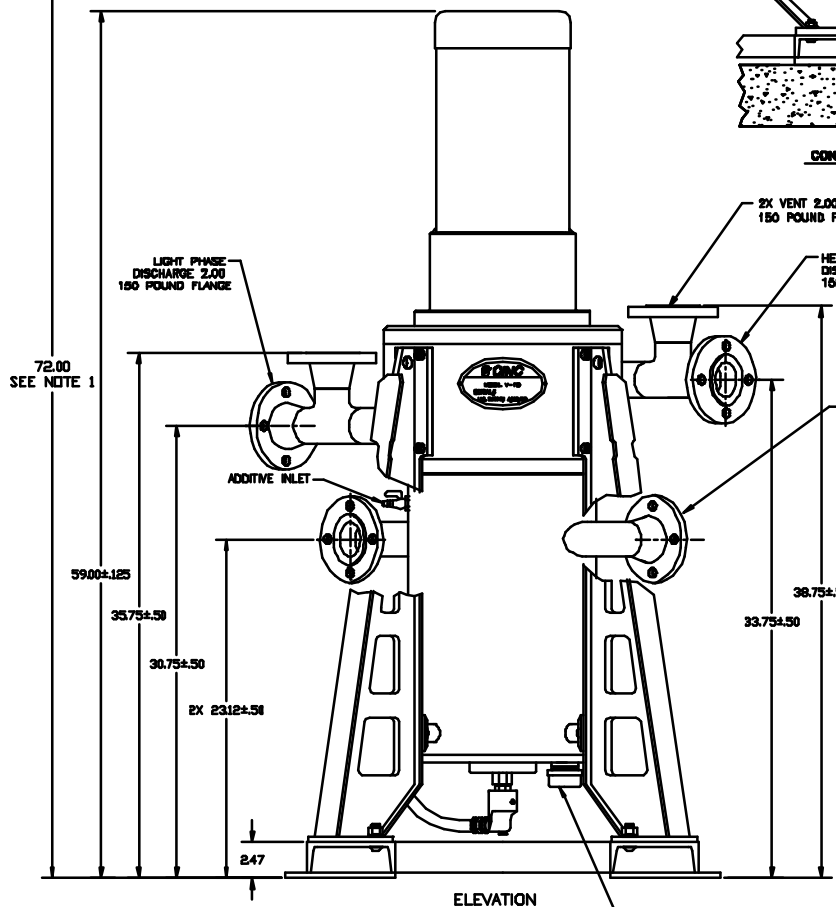


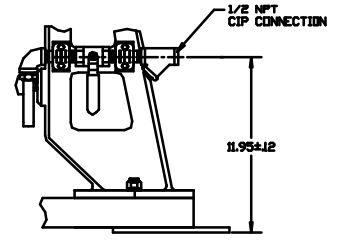
REVISIONS				
REV	ZONE	DESCRIPTION	DATE	APPROVED



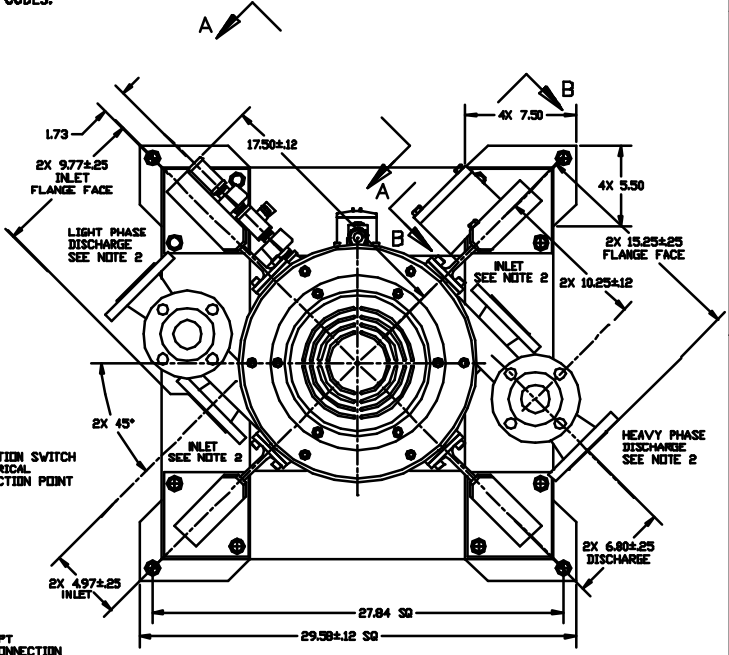
TYPICAL BASE MOUNTING
 INSTALLATION AND MOUNTING SHALL MEET ALL LOCAL AND STATE CODES.



VIEW B-B



VIEW A-A



TOP VIEW BASE

- NOTES:
1. MINIMUM HEIGHT REQUIRED TO DISASSEMBLE SEPARATOR, HOOK AND LIFTING APPARATUS MUST BE ADDED.
 2. FLEX CONNECTORS MUST BE INSTALLED AT BOTH INLETS AND OUTLETS OF CENTRIFUGE, SEE DRAWING 0040100 AND INSTRUCTION MANUAL.
 3. UNLESS OTHERWISE SPECIFIED, DRAIN LOCATION WILL BE AS SHOWN, EXITING ON THE RIGHT SIDE.

ITEM	QTY	REQD	PART OR IDENTIFYING NO.	NOMENCLATURE OR DESCRIPTION	MATERIAL / SPECIFICATION
PARTS LIST					
UNLESS OTHERWISE SPECIFIED DIMENSIONS ARE IN INCHES					
TOLERANCES					
DRAWING		DESIGNER		DATE	
JOB		CHECKER		DRAWN	
MATERIAL		MANUFACTURING		SCALE	
NEXT ASSEMBLY		CHECKED BY		REVISION	
CONTRACT NO.				DARSHEN CITY, NY 08708	
CENTRIFUGAL SEPARATOR				GENERAL LAYOUT	
V10 FLANGED CONNECTION				SCALE NONE (RELEASE DATE)	
D				SHEET 1 OF 1	