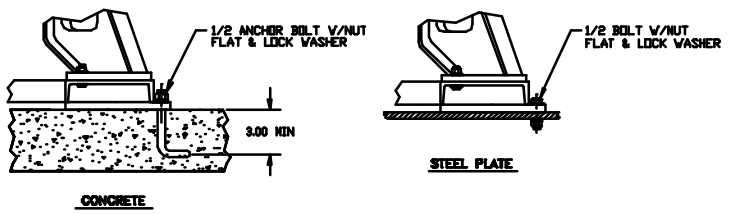
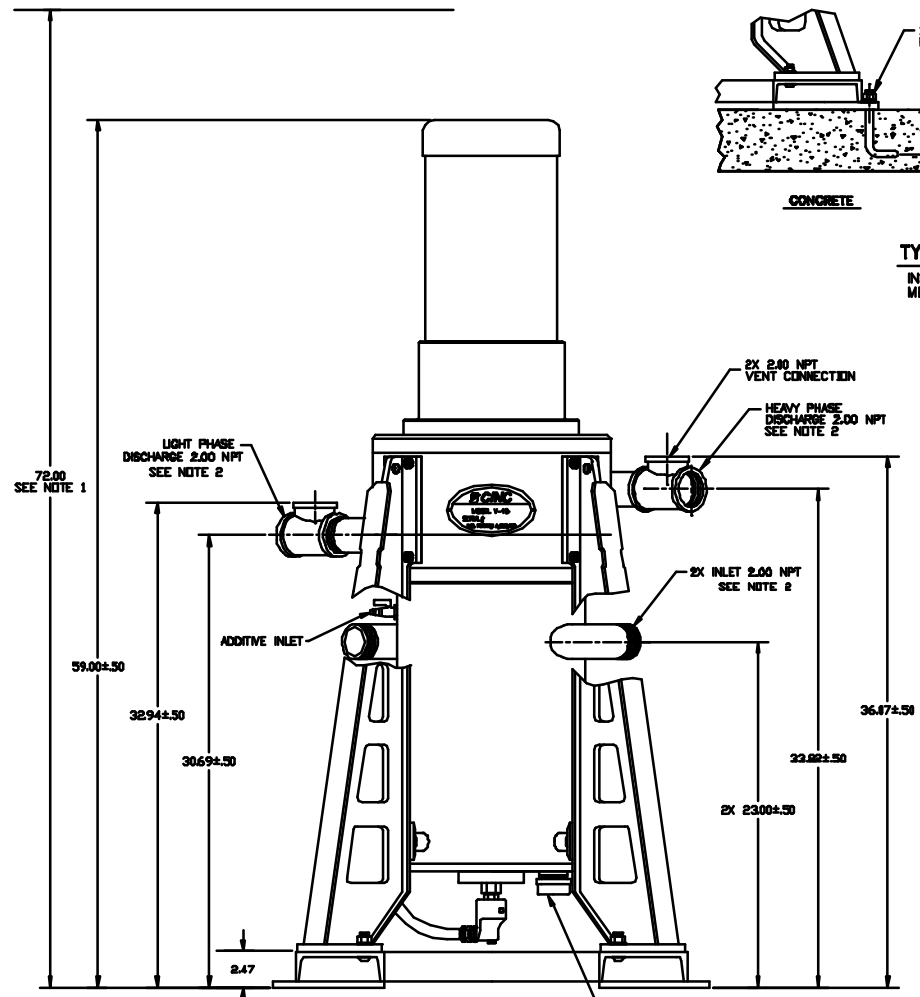


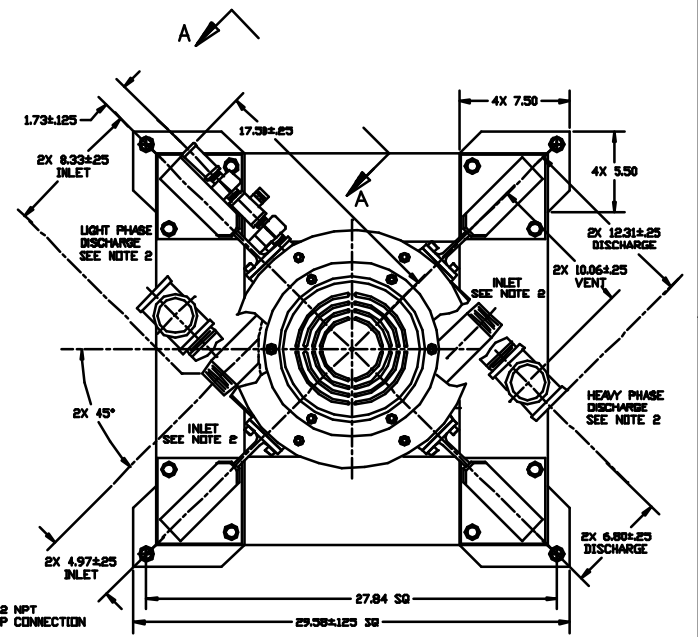
| REVISIONS | | | | |
|-----------|------|------------------|---------|----------|
| REV | ZONE | DESCRIPTION | DATE | APPROVED |
| A | | SEE ECD 9803-008 | 19MAR98 | |
| B | | SEE ECD 9904-303 | 21APR99 | |
| C | | SEE ECD 9908-302 | 18AUG99 | |



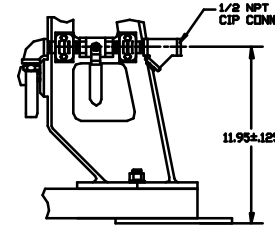
TYPICAL BASE MOUNTING
 INSTALLATION AND MOUNTING SHALL MEET ALL LOCAL AND STATE CODES.



ELEVATION



TOP VIEW BASE



VIEW A-A

- NOTES)
1. MINIMUM HEIGHT REQUIRED TO DISASSEMBLE CENTRIFUGE, HOOK AND LIFTING APPARATUS MUST BE ADDED.
 2. FLEX CONNECTORS MUST BE INSTALLED AT BOTH INLETS AND OUTLETS OF CENTRIFUGE, SEE DRAWING 0040100 AND INSTRUCTION MANUAL.
 3. UNLESS OTHERWISE SPECIFIED, DRAIN LOCATION WILL BE AS SHOWN, EXITING ON THE RIGHT SIDE.

| ITEM | QTY REQD | PART OR IDENTIFYING NO. | NO. NOMENCLATURE OR DESCRIPTION | MATERIAL / SPECIFICATION |
|--|----------|-------------------------|---------------------------------|--------------------------|
| UNLESS OTHERWISE SPECIFIED DIMENSIONS ARE IN INCHES TOLERANCES | | | | |
| | | CONTRACT NO. | | |
| | | DATE | | |
| | | PARTS LIST | | |
| | | DRAWN | | |
| | | L. MACALUSO | | |
| | | DATE | | |
| | | 21APR98 | | |
| | | DESIGNED | | |
| | | J. BERT | | |
| | | QUALITY | | |
| | | MANUFACTURING | | |
| | | CHECKED BY | | |
| | | SCALE NONE/RELEASE DATE | | |
| | | I SHEET 1 OF | | |

CINC CARSON CITY, NV 89708
 CENTRIFUGAL SEPARATOR
 GENERAL LAYOUT V-10
 NPT CONNECTION

SIZE DRAWING NO. 1010600
 REVISION D